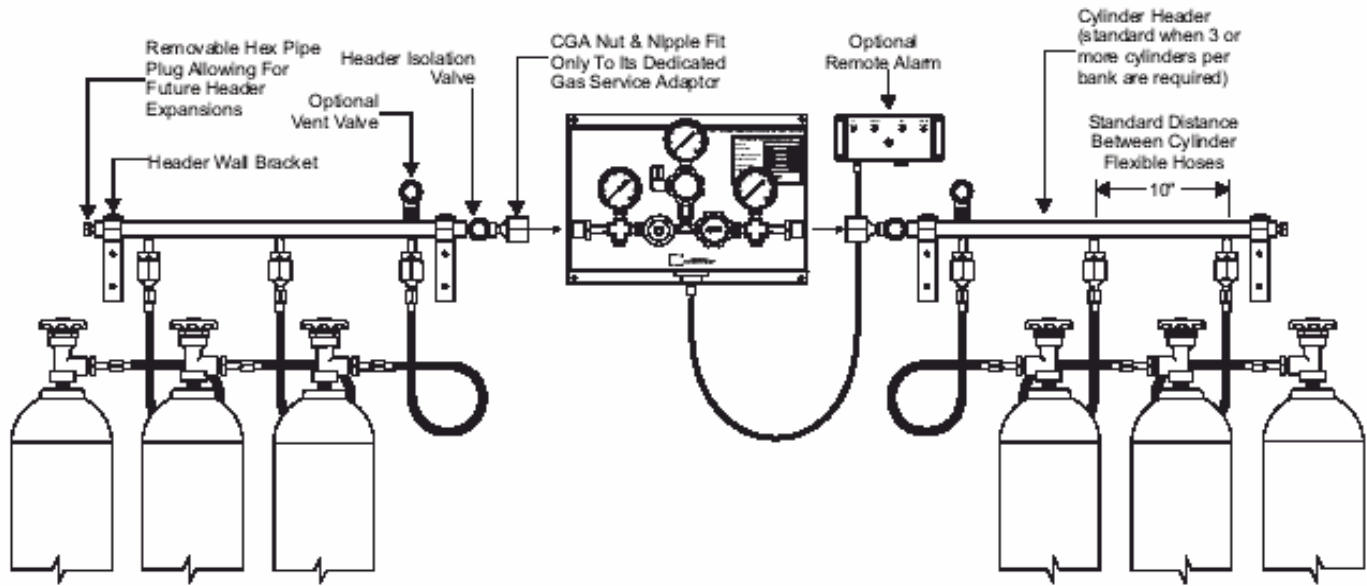




WESTERN INNOVATOR

CS3000 High Purity Automatic Changeover System

TYPICAL ARRANGEMENT



Description

The CS3000 Series Automatic Changeover systems are designed to provide a continuous supply of high purity gas. This system automatically changes gas cylinder bank priority from the depleted side in service to the full side without interruption of gas supply. A simple rotation of the primary bank knob resets the unit. The standard outlet regulator maintains constant line pressure even during the changeover process. The optional remote alarm box indicates when the pressure of each bank is either normal or low.

Standard Features

- **High Purity** - Equipment components are designed, cleaned and built to maintain gas purity.
- **Wide Selection of Regulators and Pigtails** - Customized equipment to suit any application.
- **Mounting Panel** - Professional look, easy installation.
- **Integral Check valve in the pigtail** - Prevents gas to cascade from the full cylinders to the empty cylinders during cylinder changeouts.
- **Optional Remote Alarm** - Provides audible and visual indication when a bank for cylinders is depleted
- **Optional Purge Valve** - Evacuate impurities out of the system.

How To Order - Part Number Matrix

Series	Gas	Outlet Pressure	Regulator	Left Bank	Right Bank	Flexible Pigtail	Options	
Standard Series	Most Specialty gases can be specified including acetylene and LPG. Please call Western with specific gas requirements	1 - 15	Brass Regulators =B1	Number of Cylinders (Maximum 6 per side)		Thermoplastic (Nylon) Steel Fittings =NH	Standard Alarm =RA	
3000 psi = CS3000		2-30					=15	Wireless Alarm =RF
Optional Series		4-75					=30	Teflon Core Brass fitting =TH
350 psi = CS350 (For fuel gases)		10-150	Stainless Steel regulators S1			SS Braid	Armor Guard =AG	
4500 psi = CS4500	20-300	=150					All Stainless Steel =SH	Hand Tight Nut =HT
6000 psi = CS6000	30-500	=300						
		Other: Please specify						

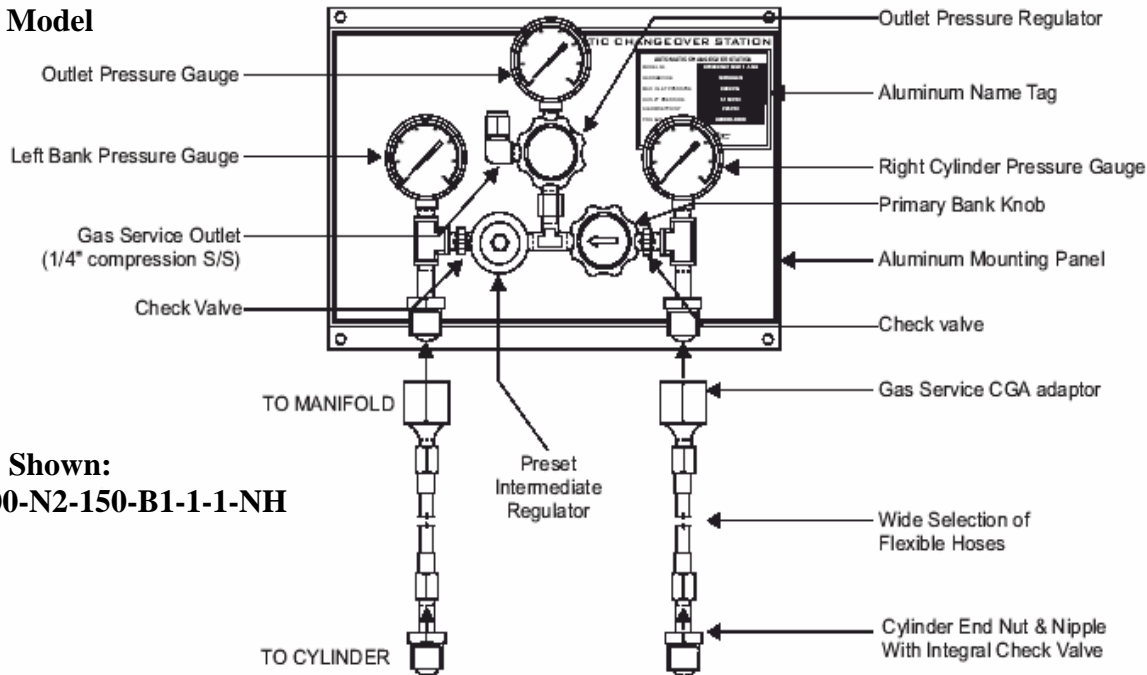
When a stainless steel regulators are selected, All fittings, gauges and pressure switches come automatically in stainless steel



WESTERN INNOVATOR

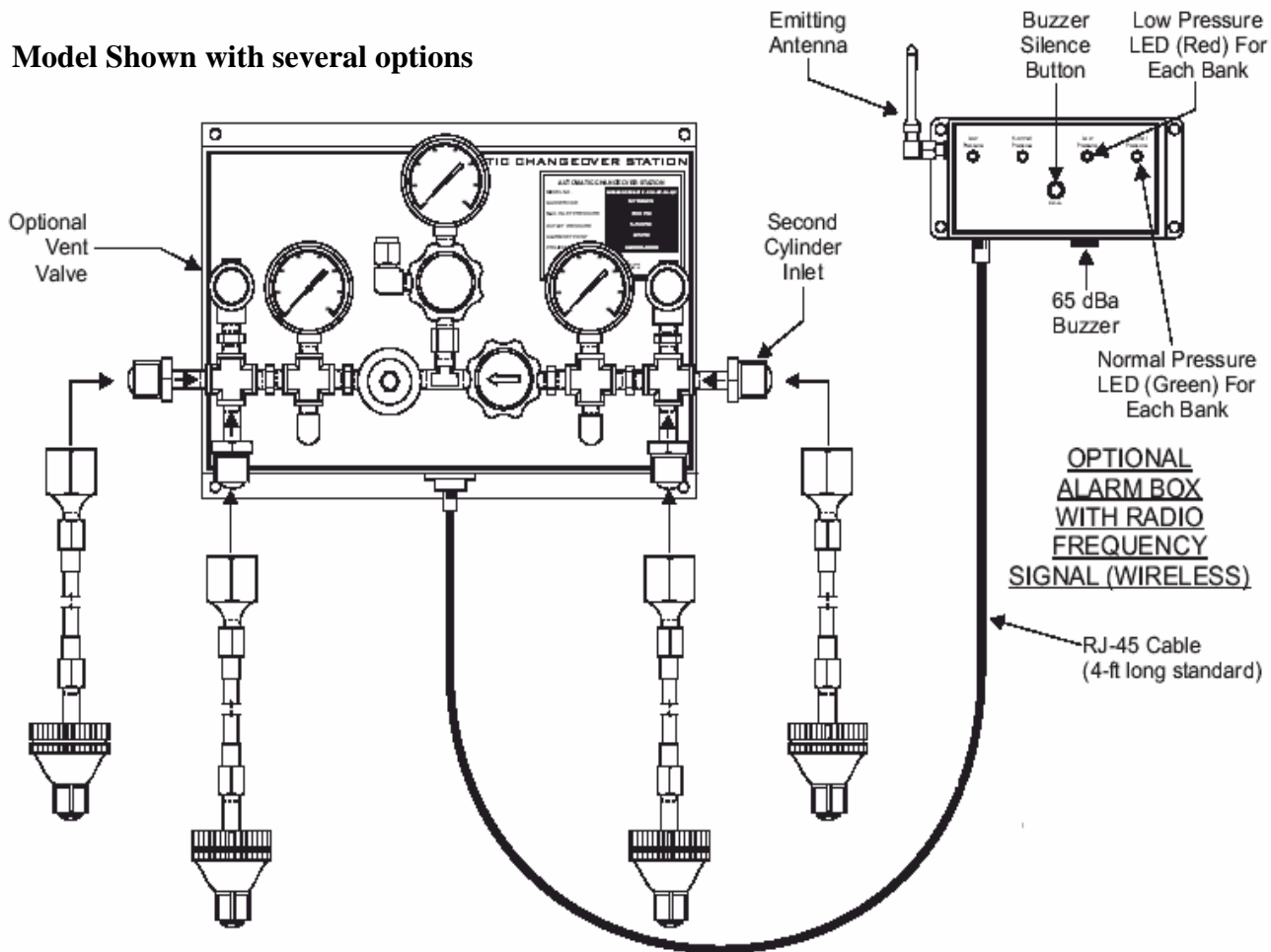
CS3000 High Purity Automatic Changeover System

Basic Model



Model Shown:
CS3000-N2-150-B1-1-1-NH

Model Shown with several options



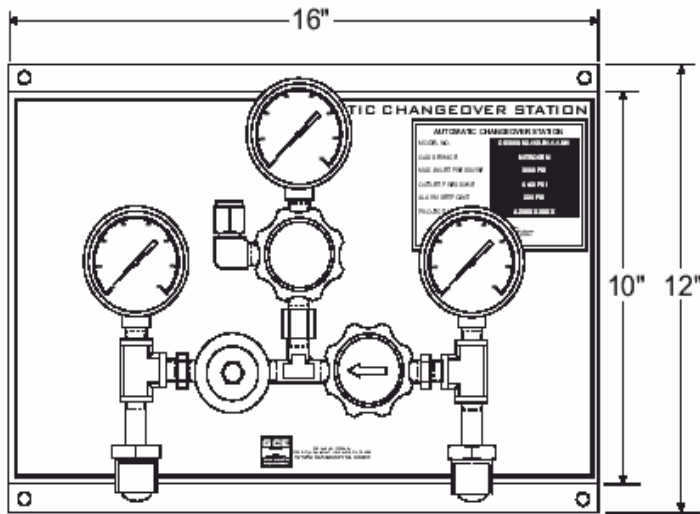


WESTERN INNOVATOR

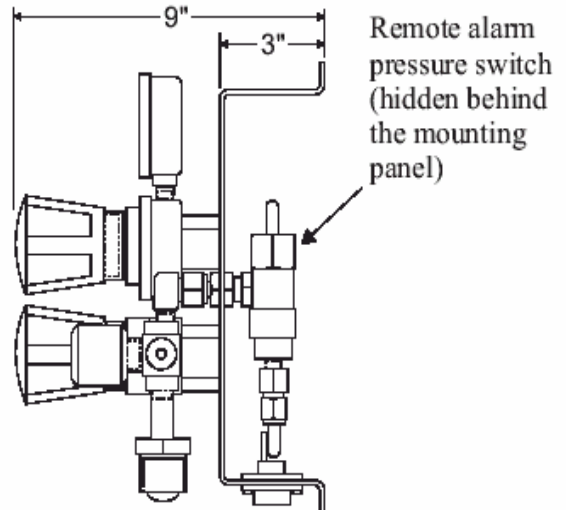
CS3000 High Purity Automatic Changeover System

DIMENSIONAL DRAWING

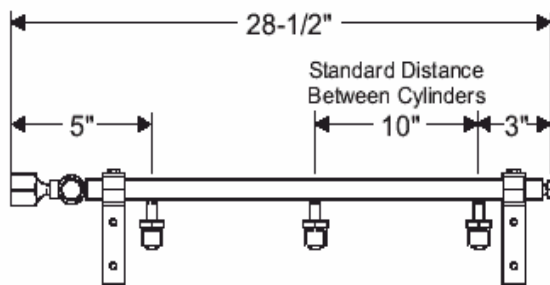
Approximate Dimensions



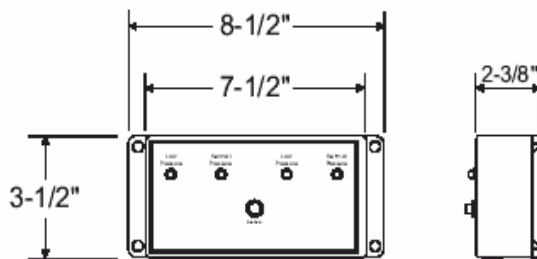
Basic Model
Front View



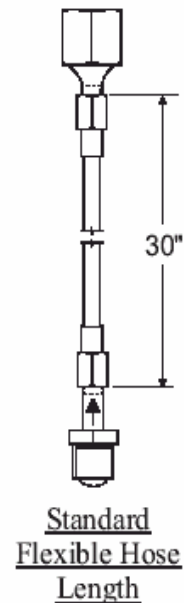
Side View With
Remote Alarm &
Purge Valve Options



Cylinder Header
(available up to 6 cylinders)



Remote Alarm Box
*(refer to the accessory section of
this brochure for details)*



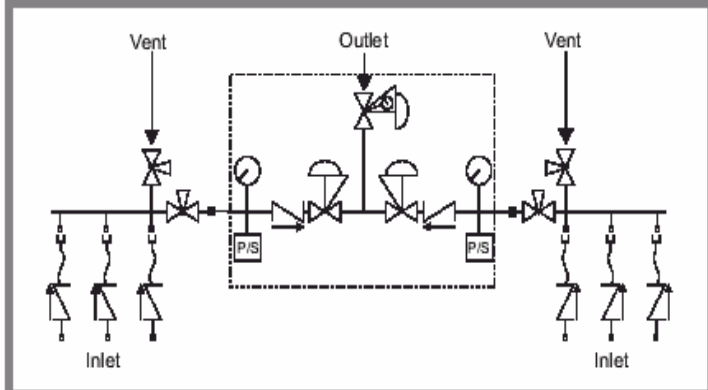
Standard
Flexible Hose
Length



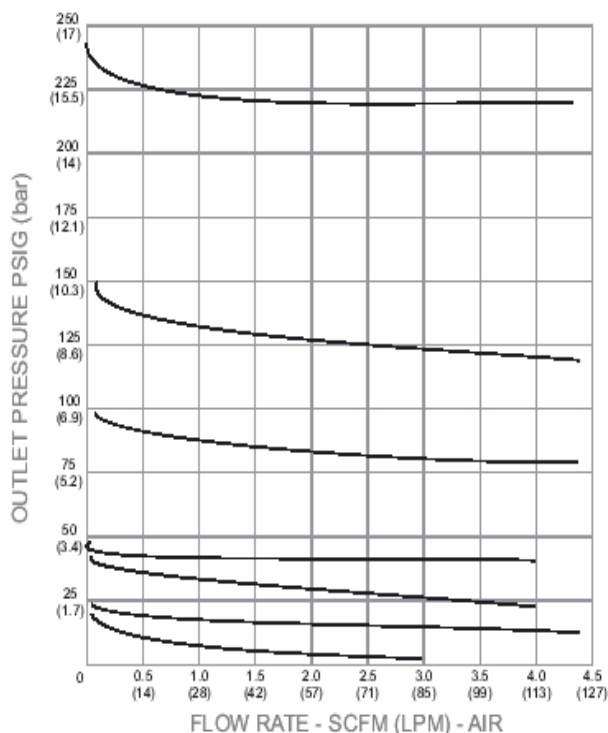
WESTERN INNOVATOR

CS3000 High Purity Automatic Changeover System

FLOW SCHEMATIC



FLOW CHART



STANDARD SPECIFICATIONS AND MATERIALS OF CONSTRUCTION

Model	CS3000 Series Brass Construction	CS3000 Series All Stainless Steel Construction
Maximum Inlet Pressure	3000 psig	3000 psig
Outlet Pressure Range	See Selection Matrix	See Selection Matrix
Inlet Connection Fitting	Gas Related Brass CGA Nut & Nipple	Gas Related Type 316 Stainless Steel CGA Nut & Nipple
Gas Service Outlet Connection	1/4" Compression S/S	1/4" Compression S/S
Purge Valve Outlet Connection	1/4" M.NPT	1/4" M.NPT
Operating Temperature	-40°F to 140°F	-40°F to 140°F
Pressure Gauge Dial & Material	2"-Dial, Brass	2"-Dial, Type 316 Stainless Steel
Fitting Size & Material	1/4" NPS, Brass	1/4" NPS, Type 316 Stainless Steel
Pressure Regulator		
Body	Brass Bar Stock	Type 316L Stainless Steel Bar Stock
Diaphragm	Type 316L Stainless Steel	Type 316L Stainless Steel
Filter	10-micron Nickel-Plated Sintered Bronze	40-micron Type 316L Stainless Steel
Seats	PCTFE	PCTFE
Seals	Teflon	Teflon
Vent Valves		
Body	Forging Brass UNS 37700	Type 316 Stainless Steel
Seats	Nylon, Zytel 101 or Celanese 1000-1	PFA
Seals	Virgin Teflon	PFA

This document was created with Win2PDF available at <http://www.win2pdf.com>.
The unregistered version of Win2PDF is for evaluation or non-commercial use only.
This page will not be added after purchasing Win2PDF.