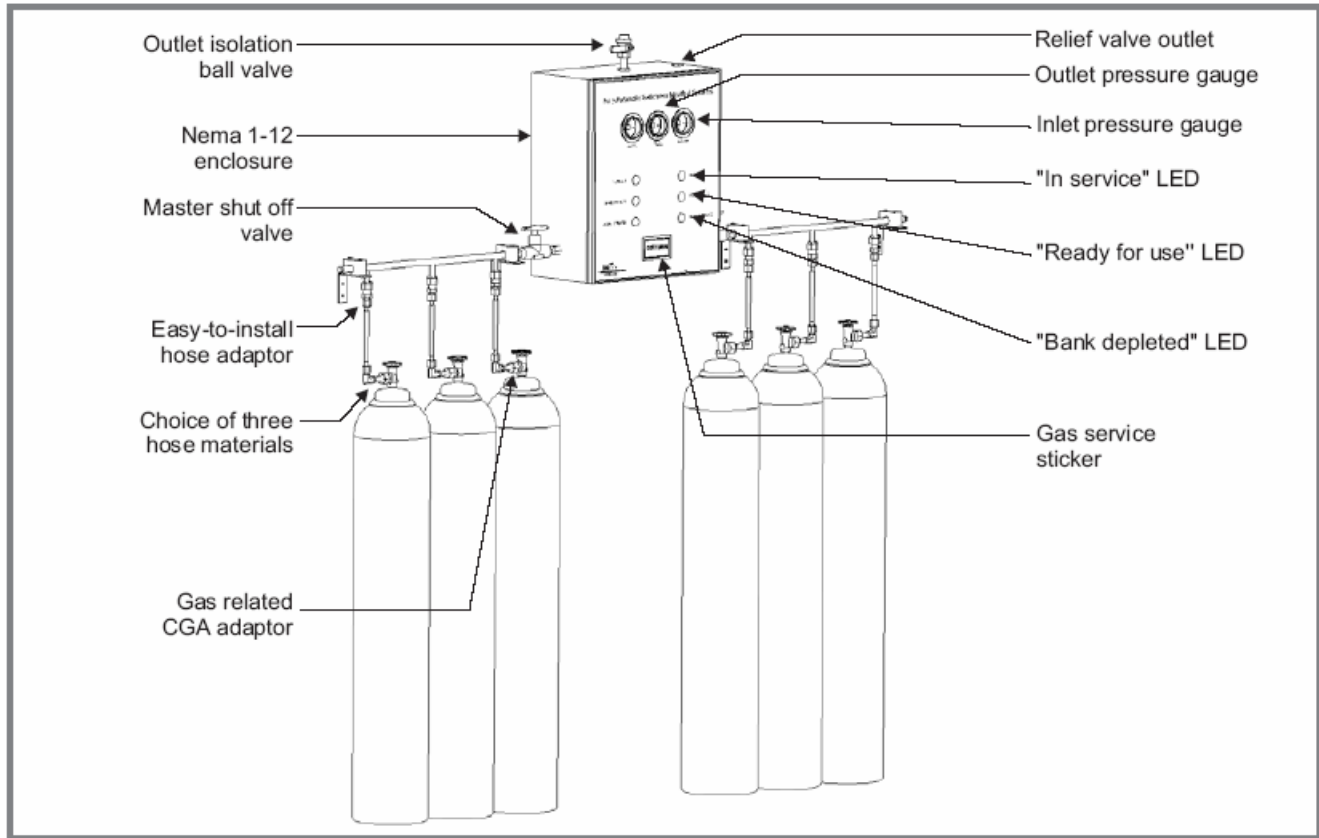




WESTERN INNOVATOR

FAS Series Fully Automatic Switchover (Gaseous Withdrawal)



Description

The FAS Series fully automatic switchover manifolds accommodate multiple portable liquid cylinders or high pressure cylinders divided into two banks. The FAS series manifolds provide uninterrupted and continuous gas flow. The system consists of a control box and one cylinder bank per side. The manifold is cleaned and tested for the indicated gas service and built to meet NFPA 99, CAS B51, ASME B31.1, CSAZ351 and CGA requirements.

Standard Features

- Programmable Logic Controller (PLC) monitors all functions and controls the switchover process.
- 22 mm LEDs indicate the status of each bank: "IN SERVICE" "READY FOR USE" "BANK DEPLETED"
- Fully automatic switchover assuring uninterrupted gas flow - no knobs or handle to reset.
- Mechanical gauges display pressure in psig and Bar.
- Optional remote audio/visual alarm and floor stand.
- Optional special header configurations available.

How To Order - Part Number Matrix

--	--	--	--	--	--

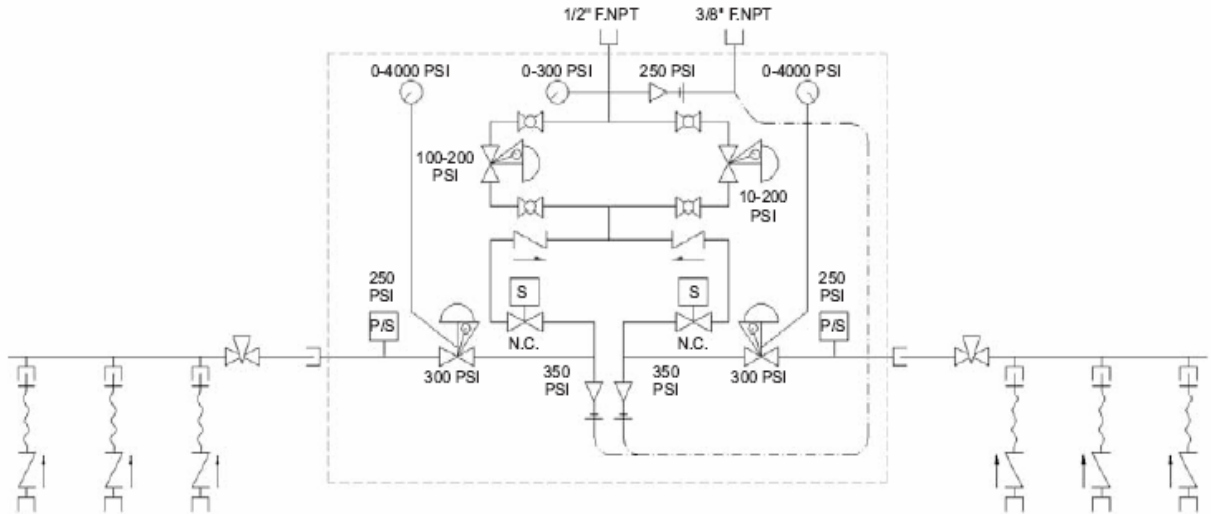
Basic Series	Gas	Qty of Cyls (left Bank)	Qty of Cyls (Right Bank)	Application	Options
FAS350 = For liquid cylinders	Argon = Ar			Bio Medical = BM	Standard Alarm = RA
FAS3000 = For 3000 psig pressure cylinders	Nitrogen = N ₂			Laser = L	Flashing Beacon = FB
FAS5000 = For 5000 psig pressure cylinders	Oxygen = O ₂			Industrial = I	Floor Stand = FS
	Carbon = CO ₂			High Purity = HP	
	Dioxide				
	Air = Air				



WESTERN INNOVATOR

FAS Series Fully Automatic Switchover (Gaseous Withdrawal)

FLOW DIAGRAM



STANDARD MATERIALS OF CONSTRUCTION

Part

Enclosure	Aluminum
Headers	Stainless steel TP304/F304 - brass CDA 36000
Tubing	Stainless steel TP304 - copper ASTM B280/B819
Fittings	Brass ASTM B16/B453 - stainless steel 316
Flexible hoses	
Nylon hose (Thermoplastic):	Innercore: SAE J517 100 R8 - Nylon - fittings: steel
Teflon hose:	Innercore: virgin PTFE smooth bore tubing - overbraid: stainless steel - fittings: brass
All stainless steel hose:	Innercore: 321stainless steel - overbraid: 304 stainless steel - fittings: 316C stainless steel
Relief valves	Body, seat retainer: brass ASTM B16 - adjusting screw, springs: stainless steel 316 - Disc: PTFE
Inlet regulators	Body: forged brass - diaphragm: stainless steel - housing cap: forged brass - inlet filter: bronze
Pressure switches	Piston: stainless steel - "O"-ring: Buna-N - connection: brass
Outlet pressure regulators	Body: forged brass - bonnet: nickel plated aluminium - diaphragm: nitrile with PTFE liner - springs: stainless steel - "O"-rings: viton (EPDM seat disc & "O"-rings for nitrous oxide and carbon dioxide)
Solenoid valves	Body: brass - Seals & Discs: Buna "N" or Teflon - Disc Holder: Nylon - Core tube: 305 S.S. - Core & plugnut: 403F S.S. - shading coil: copper
Master valves	Body, bonnet, stem, seat retainer, stem seal retaining rings and washer: brass - stem "O"-ring: Viton - handweel washer: PTFE

TECHNICAL SPECIFICATIONS

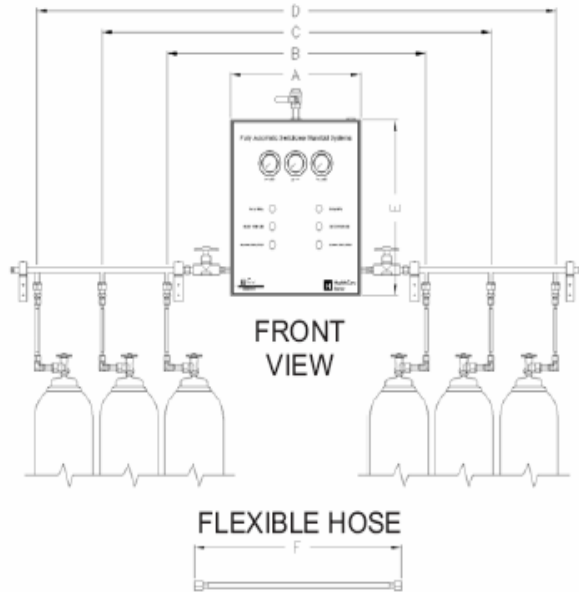
	FAS350	FAS3000	FAS5000
Max. inlet pressure	350 psig	3000 psig	5000 psig
Outlet pressure range	5-110 psig	10-200 psig	10-200 psig
Low alarm setpoint & switchover setpoint	135 psig	250 psig	300 psig
Inlet gauges	0-400 psig	0-4000 psig	0-6000 psig
Outlet gauge	0-200 psig	0-300 psig	0-300 psig
Operating temperature		5°C to 50°C	
Power requirement		110 VAC 50-60 Hz	
Enclosure rating		Nema 1-12	
Gauge size		2-1/2" dial	
Pilot lights		22 mm, LED, 110 VAC	



WESTERN INNOVATOR

FAS Series Fully Automatic Switchover (Gaseous Withdrawal)

DIMENSIONAL DRAWING



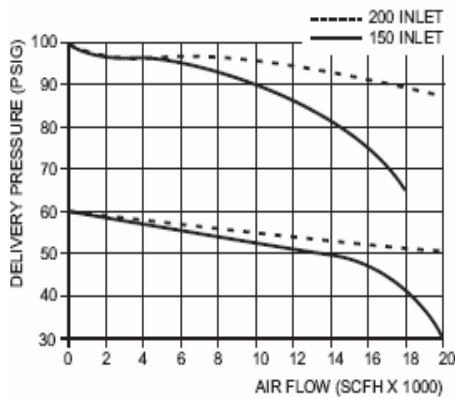
	FAS350	FAS3000	FAS5000
A	20"	20"	20"
B	38"	38"	38"
C	78"	58"	58"
D	118"	78"	78"
E	24"	24"	24"
F*	60"	30"	30"

*HOSES FOR BULKPACKS (CYLINDER CLUSTERS) ARE 72" LONG.

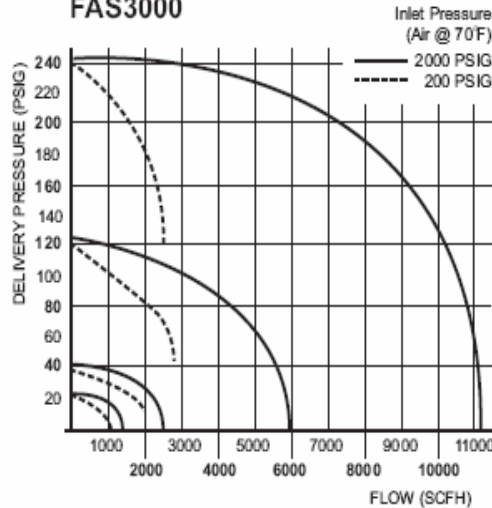
CONTROL BOX DEPTH: 11"

FLOW CHARTS

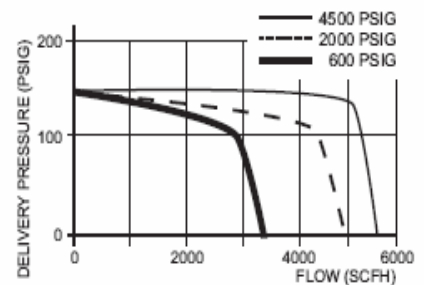
FAS350



FAS3000



FAS5000



Trademarks used in our cutsheets are:

Buna-N, Delrin, Kalrez, Teflon, Tefzel, Vespel, Viton and Viton-A are trademarks of E.I. DuPont de Nemours & Company
 Monel is a trademark of Inco Alloys International, Inc.
 Kynar is a trademark of Atochem North America, Inc.
 Snoop is a trademark of Nupro Company
 Swagelok is a trademark of Crawford Fittings Company
 Hastelloy is a trademark of Union Carbide Corporation
 VCR is a trademark of Cajon Company

This document was created with Win2PDF available at <http://www.win2pdf.com>.
The unregistered version of Win2PDF is for evaluation or non-commercial use only.
This page will not be added after purchasing Win2PDF.