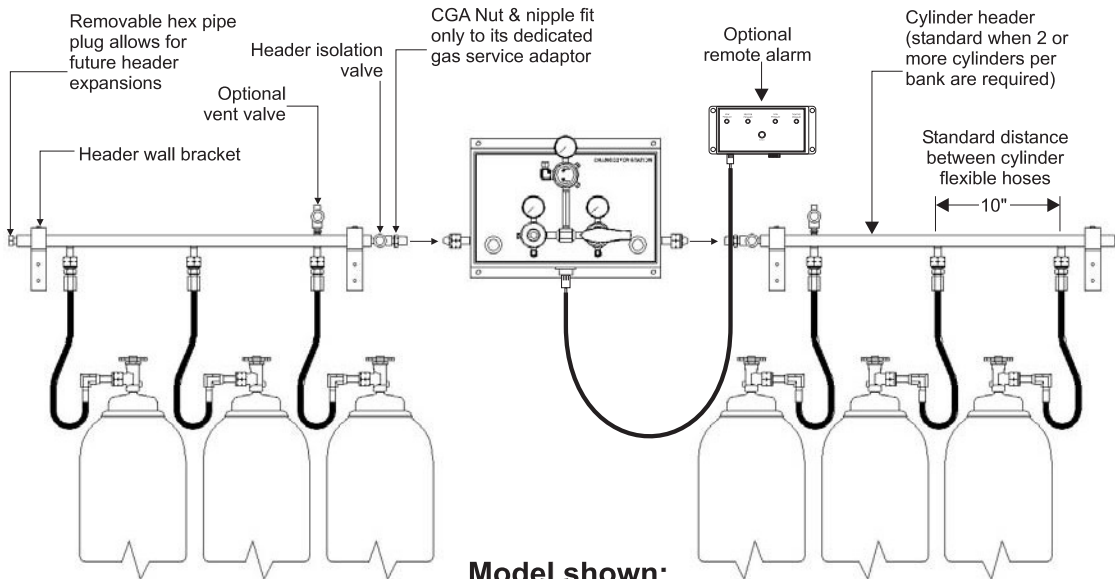




AUTOMATIC CHANGEOVER STATIONS

CS3000 SERIES

MODEL SHOWN WITH MULTIPLE-CYLINDER HEADERS



Model shown:
CS3000-7-150-B1-3-3-NH-VV-RA2

Description

The CS3000 Series Automatic Changeover Stations are designed to provide a continuous supply of high purity gases. The system automatically changes from a depleted bank of cylinders in service to the full reserve bank without an interruption of gas supply. A simple rotation of the primary bank knob resets the unit once the depleted bank of cylinders has been replaced. The standard outlet regulator maintains a constant line pressure, even during the changeover process. The optional remote alarm box indicates when the pressure of each bank is either normal or low.

Standard features

- **High purity:** Equipment components are designed, cleaned, and built to maintain gas purity
- **Wide selection of regulators and hoses:** Customized equipment to suit any application.
- **Mounting panel:** Professional look, easy installation
- **Integral check valve in the flexible hoses:** Keep air and airborne contaminants from entering the high purity distribution system during cylinder changeouts
- **Optional remote alarm:** Provides an audible and visual indication when a bank of cylinders is depleted
- **Optional vent valve:** Evacuates impurities from the system

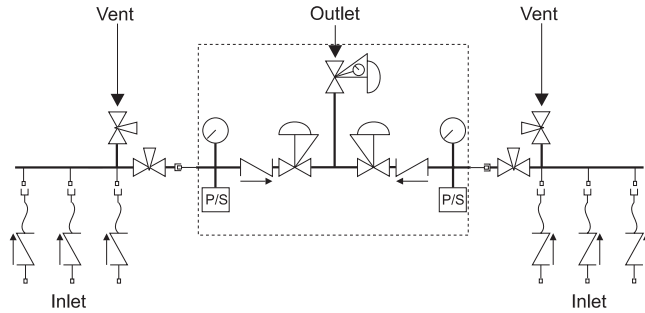
How to order - part number matrix

CS3000							
Series	Typical fluid	Outlet pressure	Regulator	Left bank	Right bank	Flexible hoses	Options
(inlet pressure)							
Standard Series	<ul style="list-style-type: none"> ■ Air = 2 ■ Helium = 5 ■ Hydrogen = 6 ■ Nitrogen = 7 	<ul style="list-style-type: none"> ■ 1-15 = 15 ■ 2-25 = 25 ■ 2-50 = 50 ■ 5-100 = 100 ■ 5-150 = 150 ■ 10-250 = 250 ■ 30-500 = 500 	<ul style="list-style-type: none"> ■ Brass = B1 regulators ■ Stainless = S1 steel regulators 	No. of cylinders (maximum 6 per side)		<ul style="list-style-type: none"> ■ Thermoplastic = NH (Nylon) steel fittings ■ Teflon core, brass fittings, S/Steel braid = TH ■ All stainless steel = SH 	<ul style="list-style-type: none"> ■ Standard alarm = RA2 ■ Wireless alarm = RF2 ■ Vent valve = VV ■ Hose armor guard = AG ■ Zipnut Q/C = QC ■ Hand tight nut = HT
Optional Series	Most specialty gases can be specified including acetylene and other LPG	Other: please specify					
<ul style="list-style-type: none"> ■ 3500 psi = CS3500 ■ 4500 psi = CS4500 ■ 6000 psi = CS6000 							

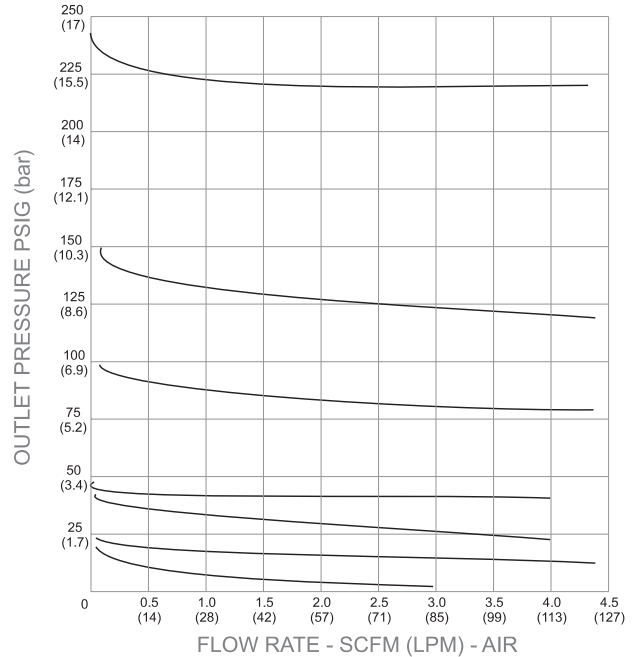


AUTOMATIC CHANGEOVER STATIONS CS3000 SERIES TECHNICAL SPECIFICATIONS

Flow schematic



Flow chart



Standard Specifications and Materials of Constructions

Model	CS3000 Series Brass construction	CS3000 Series All stainless steel construction
Maximum inlet pressure	3000 psig	3000 psig
Outlet pressure range	See part number matrix	See part number matrix
Inlet connection fitting	Gas related brass CGA nut & nipple	Gas related Type 316 stainless steel CGA nut & nipple
Gas service outlet connection	1/4" compression S/S	1/4" compression S/S
Vent valve outlet connection	1/4" M.NPT	1/4" M.NPT
Operating temperature	-40°F to 140°F	-40°F to 140°F
Pressure gauge dial & material	2"-dial, brass	2"-dial, type 316 stainless steel
Fitting size & material	1/4" NPS, brass	1/4" NPS, Type 316 stainless steel
Pressure regulator		
Body	Brass bar stock	Type 316L stainless steel bar stock
Diaphragm	Type 316L stainless steel	Type 316L stainless steel
Filter	10-micron Nickel-plated sintered bronze	40-micron Type 316L stainless steel
Seats	PCTFE	PCTFE
Seals	Teflon	Teflon
Vent valves		
Body	Forged brass UNS 37700	Type 316 stainless steel
Seats	Nylon, Zytel 101 or Celanese 1000-1	PFA
Seals	Virgin Teflon	PFA

This document was created with Win2PDF available at <http://www.win2pdf.com>.
The unregistered version of Win2PDF is for evaluation or non-commercial use only.
This page will not be added after purchasing Win2PDF.