



WESTERN INNOVATOR

MP250 High Purity Series Multi-Purifier Panels For Gas Pipelines

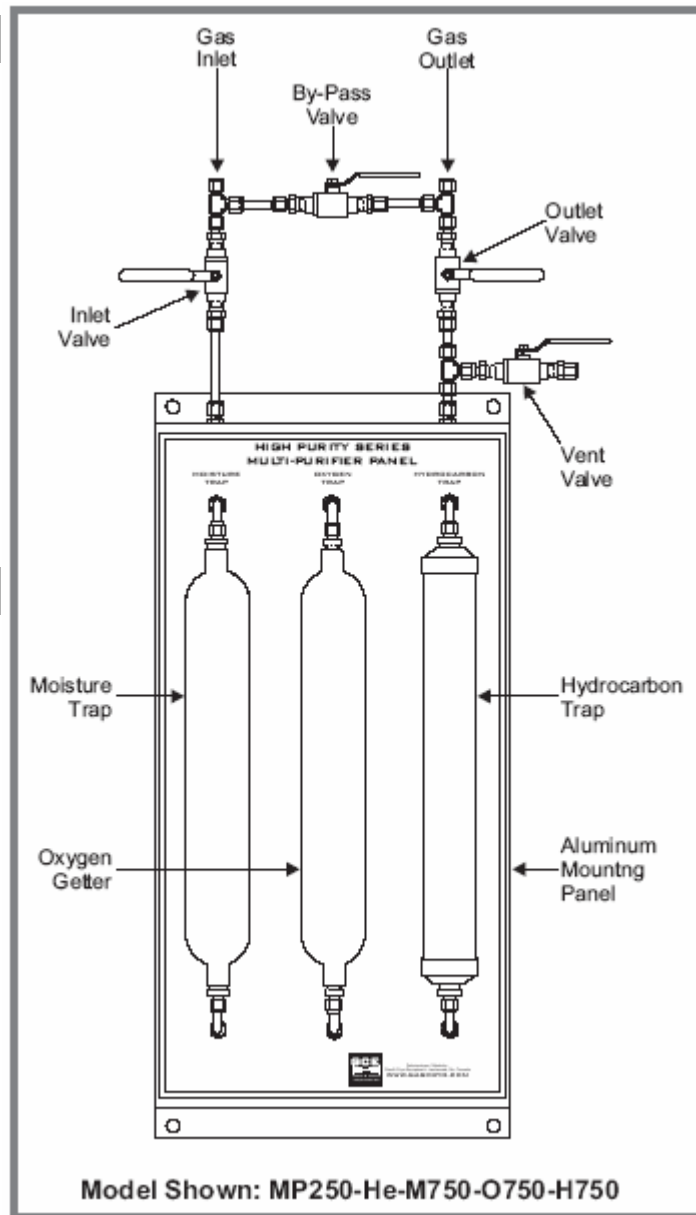
Description

Designed for mass spec quality applications, the MP250 Series Multi-Purifier panel reduces oxygen, moisture, hydrocarbons and carbon dioxide, to parts per billion levels. Particularly suited for use upstream of final line regulators, these multi-filter panels are designed to serve multiple gas chromatographs.

The unique design of the MP250 Series multi-purifier panel features inlet, outlet, by-pass and vent valves. All tubing, piping, fittings and valves are cleaned for high purity applications at the factory.

Standard Features

- Panel mounted traps for easy changeouts.
- Vent valve assures purity integrity by venting air and other contaminants out of the pipeline.
- By-pass valve allows filter changeouts without interruption of gas supply.
- The high capacity filters allow longer service before filter changeouts.
- Suitable for most carrier and detector gases such as air, helium, hydrogen and nitrogen.
- Help to maintain your pipeline free of baseline noise inductive contaminants.



How To Order - Part Number Matrix

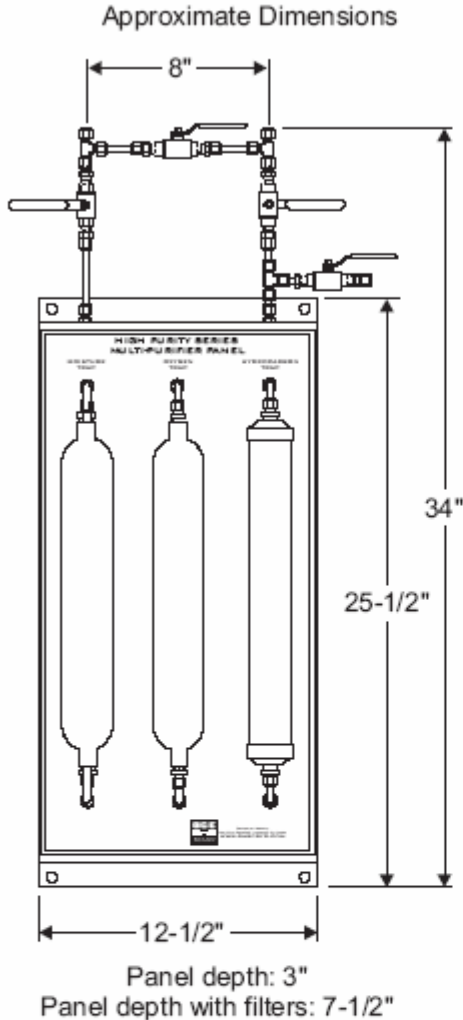
MP250				
Basic Series	Typical Fluid	Moisture Trap Capacity	Oxygen Getter Capacity	Hydrocarbon Trap Capacity
	◆ Air = Air	Standard Size	Standard Size	Standard Size
	◆ Nitrogen = N2	◆ 750 cc = M750	◆ 750 cc = O750	◆ 750 cc = H750
	◆ Helium = He	Optional Size	Optional Size	Optional Size
	◆ Hydrogen = H2	◆ 120 cc = M120	◆ 120 cc = O120	◆ 200 cc = H200
		◆ 200 cc = M200	◆ 300 cc = O300	
		◆ 400 cc = M400		



WESTERN INNOVATOR

MP250 High Purity Series Multi-Purifier Panels For Gas Pipelines

DIMENSIONAL DRAWING

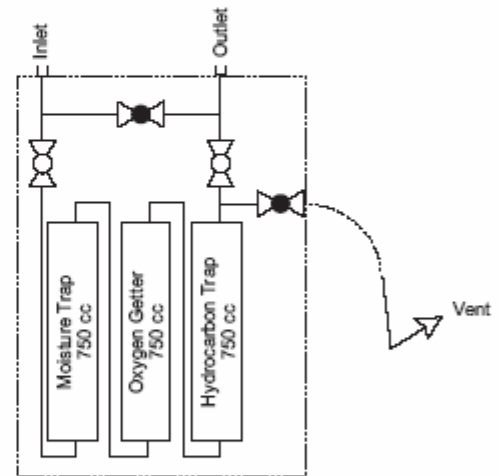


SPECIFICATIONS

Description

Maximum Inlet Pressure	250 psig
Inlet & Outlet Connections	3/8" compression S/S
Max. Operating Temperature	+ 212°F
Moisture Trap Ingredient	4A & 13X (NaA, NaX & Mg Aluminosilicate)
Oxygen Getter Ingredient	Alumina Copper Oxide Nickel Oxide Cobalt Oxide
Hydrocarbon Trap Ingredient	Activated Carbon Type KE

FLOW SCHEMATIC



STANDARD MATERIALS OF CONSTRUCTION

Part Description	Materials of Construction (Wetted Parts Only)
Ball Valve	Body: Stainless Steel 316 - Ball: Stainless Steel 316 - Seats & Seals: PTFE
Tubes	Stainless Steel 304
Fittings	Stainless Steel 316
Pipe	Stainless Steel 304
Traps	Body: Aluminum - Fittings: Brass - Reacting Agents: See Above Specifications
Mounting Panel (non wetted)	Aluminum

This document was created with Win2PDF available at <http://www.win2pdf.com>.
The unregistered version of Win2PDF is for evaluation or non-commercial use only.
This page will not be added after purchasing Win2PDF.